

## TECHNICAL DATA AND NOMINAL PERFORMANCES

### UNICO.A axial fans

MODEL		21	25	32	37	50	61	36	42	50	64	74
		Z1	Z1	Z1	Z1	Z1	Z1	Z2	Z2	Z2	Z2	Z2
Size		G0	G0	G2	G2	G2	G4	G2	G2	G2	G4	G4
Cooling capacity (1)	kW	22,3	25,1	33,2	40,1	54,3	62,4	37,8	44,6	50,5	67,3	77,1
Compressors	n.	1	1	1	1	1	1	2	2	2	2	2
Power input (1)	kW	7,5	8,6	11,6	12,8	17,2	23,3	11,7	14,9	17,4	22,7	26,0
Gas circuits	n.	1	1	1	1	1	1	2	2	2	2	2
Weight	kg	330	330	480	540	590	750	570	590	610	820	860
Sound pressure (2)	dB(A)	62,2	62,2	62,3	64,6	64,8	65,0	64,6	64,7	64,7	65,9	65,9

MODEL		87	100	124	170	200	220	260	280	300	320
		Z2	Z2	Z2	Z2	Z4	Z4	Z4	Z4	Z4	Z4
Size		G6	G6	G6	G7	G8	G8	G8	G8	G8	G8
Cooling capacity (1)	kW	95,4	107,0	132,0	170,0	191,0	207,0	238,0	256,0	285,0	320,0
Compressors	n.	2	2	2	2	4	4	4	4	4	4
Power input (1)	kW	28,9	34,5	44,2	51,7	61,8	72,9	81,2	93,0	107,0	121,0
Gas circuits	n.	2	2	2	2	2	2	2	2	2	2
Weight	kg	1180	1240	1240	1530	1895	2042	2370	2410	2465	2495
Sound pressure (2)	dB(A)	65,7	65,8	66,1	66,6	64,4	64,7	70,6	70,7	70,9	71,1

### UNICO.A.ELN axial fans / extra low noise

MODEL		21	25	32	37	50	61	36	42	50	64	74
		Z1	Z1	Z1	Z1	Z1	Z1	Z2	Z2	Z2	Z2	Z2
Size		G2	G2	G2	G4	G4	G4	G4	G4	G4	G4	G6
Cooling capacity (1)	kW	21,1	24,3	32,4	38,6	51,0	62,0	36,3	42,6	49,3	62,5	72,1
Compressors	n.	1	1	1	1	1	1	2	2	2	2	2
Power input (1)	kW	7,9	9,1	12,1	13,5	19,1	23,6	12,6	15,7	17,9	25,4	28,7
Gas circuits	n.	1	1	1	1	1	1	2	2	2	2	2
Weight	kg	460	460	500	680	770	790	720	750	750	820	1120
Sound pressure (2)	dB(A)	50,9	53,2	52,7	53,8	55,3	57,1	53,8	52,7	55,1	56,0	55,5

MODEL		87	100	124	170	200	220	260	280	300	320
		Z2	Z2	Z2	Z2	Z4	Z4	Z4	Z4	Z4	Z4
Size		G7	G7	G7	G8	G8	G8	G9	G9	G9	G9
Cooling capacity (1)	kW	89,5	98,9	128,0	165,0	184,0	202,0	237,0	256,0	303,0	325,0
Compressors	n.	2	2	2	2	4	4	4	4	4	4
Power input (1)	kW	32,1	38,9	46,4	53,6	64,2	78,9	84,4	97,2	105,0	118,0
Gas circuits	n.	2	2	2	2	2	2	2	2	2	2
Weight	kg	1230	1290	1340	1800	1890	2040	2025	2065	3270	3310
Sound pressure (2)	dB(A)	58,1	58,6	59,7	61,0	62,4	63,2	65,5	66,1	66,7	67,4

(1) Referred to chilled water temperature 12/7°C and air to the condenser at 35°C

(2) Sound pressure 1m far in free field conditions according to ISO3744 norms

POWER SUPPLY: 400.3.50+N

## TECHNICAL DATA AND NOMINAL PERFORMANCES

### UNICO.A.HD axial fans

MODEL		550	550	600	600	660	660	770	770	880	880
		S2	S2	S2	S2	S2	S2	S2	S2	S2	S2
Size		U10	M16	U11	M16	U11	M16	U12	M17	U13	M17
Cooling capacity (1)	kW	494,0	506,0	562,0	557,0	600,0	599,0	705,0	703,0	797,0	779,0
Compressors	n.	2	2	2	2	2	2	2	2	2	2
Power input (1)	kW	156,0	154,0	170,0	171,0	186,0	187,0	217,0	218,0	246,0	250,0
Gas circuits	n.	2	2	2	2	2	2	2	2	2	2
Weight	kg	4460	4900	4960	5080	5140	5080	5870	5780	6540	5940
Sound pressure (2)	dB(A)	77,6	82,7	77,8	82,7	77,8	82,7	78,4	83,6	78,5	83,6

MODEL		990	990	1100	1100	1210	1320	1420	1530	1640
		S2	S2	S2	S2	S3	S3	S3	S3	S3
Size		U14	M18	U14	M18	M19	M20	M20	M21	M21
Cooling capacity (1)	kW	919,0	898,0	992,0	976,0	1096,0	1199,0	1298,0	1405,0	1475,0
Compressors	n.	2	2	2	2	3	3	3	3	3
Power input (1)	kW	277,0	282,0	309,0	312,0	347,0	375,0	412,0	438,0	470,0
Gas circuits	n.	2	2	2	2	3	3	3	3	3
Weight	kg	7140	6620	7150	6620	8350	9160	9420	9600	9600
Sound pressure (2)	dB(A)	79,6	85,4	79,6	85,4	85,2	85,3	87,1	87,1	87,1

### UNICO.A.HD.ELN axial fans / extra low noise

MODEL		550	600	660	770	880
		S2	S2	S2	S2	S2
Size		U11	U12	U12	U13	U14
Cooling capacity (1)	kW	493,0	558,0	593,0	693,0	783,0
Compressors	n.	2	2	2	2	2
Power input (1)	kW	156,0	171,0	188,0	220,0	249,0
Gas circuits	n.	2	2	2	2	2
Weight	kg	4960	5670	5670	6370	7020
Sound pressure (2)	dB(A)	67,1	67,2	67,2	67,9	68,0

### UNICO.TURBO.A axial fans

MODEL		250	300	500	600	750	900	1000	1200
Size		T1.Y1	T1.Y2	T2.Y3	T2.Y4	T3.F12	T3.F14	T4.F16	T4.F20
Cooling capacity (1)	kW	250,0	300,0	500,0	600,0	750,0	900,0	1000,0	1200,0
Compressors	n.	1	1	2	2	3	3	4	4
Power input (1)	kW	70,5	76,5	138,1	159,3	199,3	234,2	267,7	312,3
Gas circuits	n.	1	1	2	2	1	1	2	2
Weight	kg	1825	2380	3800	4610	6600	7100	8600	9100
Sound pressure (2)	dB(A)	73,0	73,6	74,5	74,8	75,8	76,0	76,3	76,5

(1) Referred to chilled water temperature 12/7°C and air to the condenser at 35°C

(2) Sound pressure 1m far in free field conditions according to ISO3744 norms

POWER SUPPLY: 400.3.50+N

## TECHNICAL DATA AND NOMINAL PERFORMANCES

### UNICO.C centrifugal fans

MODEL		21	25	32	37	50	61	36	42	50	64
		Z1	Z1	Z1	Z1	Z1	Z1	Z2	Z2	Z2	Z2
Size		G1	G1	G1	G3	G3	G3	G3	G3	G3	G3
Cooling capacity (1)	kW	21,0	23,9	32,0	38,8	51,7	62,6	36,1	42,1	48,0	63,5
Compressors	n.	1	1	1	1	1	1	2	2	2	2
Power input (1)	kW	8,0	9,4	12,4	13,4	18,6	23,1	12,7	16,0	18,8	24,8
Gas circuits	n.	1	1	1	1	1	1	2	2	2	2
Weight	kg	390	390	435	670	740	760	690	710	720	790
Sound pressure (2)	dB(A)	59,8	61,5	67,2	61,8	69,3	69,5	60,2	62,0	63,7	69,3

MODEL		74	87	100	124	170	200	220	260	280	300
		Z2	Z2	Z2	Z2	Z2	Z4	Z4	Z4	Z4	Z4
Size		G5	G7	G7	G7	G7	G8	G8	G8	G8	G8
Cooling capacity (1)	kW	77,1	91,9	102,0	129,0	165,0	178,0	207,0	237,0	254,0	294,0
Compressors	n.	2	2	2	2	2	4	4	4	4	4
Power input (1)	kW	26,0	31,0	37,0	45,6	53,6	66,6	74,2	84,7	94,9	110,0
Gas circuits	n.	2	2	2	2	2	2	2	2	2	2
Weight	kg	1060	1450	1510	1540	1730	2180	2330	2675	2715	2750
Sound pressure (2)	dB(A)	70,5	71,0	71,1	71,3	74,2	72,2	72,3	75,2	76,2	76,2

### UNICO.C.ELN centrifugal fans / extra low noise

MODEL		21	25	32	37	50	61	36	42
		Z1	Z1	Z1	Z1	Z1	Z1	Z2	Z2
Size		G3	G3	G3	G5	G5	G5	G5	G5
Cooling capacity (1)	kW	20,7	23,9	31,9	37,0	50,3	62,6	34,5	41,0
Compressors	n.	1	1	1	1	1	1	2	2
Power input (1)	kW	8,2	9,4	12,5	14,4	19,5	23,1	13,6	16,7
Gas circuits	n.	1	1	1	1	1	1	2	2
Weight	kg	590	590	630	840	900	910	860	880
Sound pressure (2)	dB(A)	52,5	53,1	54,8	55,7	57,9	60,7	55,2	56,2

MODEL		50	64	74	87	100	124	170	200	220
		Z2	Z2	Z2	Z2	Z2	Z2	Z2	Z4	Z4
Size		G5	G5	G7	G8	G8	G8	G8	G8	G8
Cooling capacity (1)	kW	48,0	63,5	71,6	91,3	101,0	127,0	165,0	174,0	199,0
Compressors	n.	2	2	2	2	2	2	2	4	4
Power input (1)	kW	18,7	24,8	29,0	31,2	37,4	46,8	53,5	64,1	73,5
Gas circuits	n.	2	2	2	2	2	2	2	2	2
Weight	kg	920	970	1360	1850	1910	1970	2030	2196	2340
Sound pressure (2)	dB(A)	56,3	60,3	58,4	60,1	60,8	62,6	66,2	69,9	70,1

(1) Referred to chilled water temperature 12/7°C and air to the condenser at 35°C

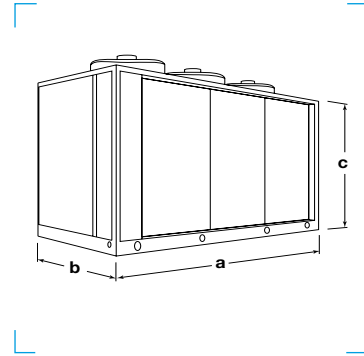
(2) Sound pressure 1m far in free field conditions according to ISO3744 norms

POWER SUPPLY: 400.3.50+N

## DIMENSIONS (mm)

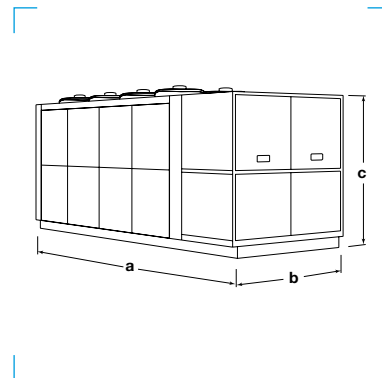
### UNICO.A "G"

Size	a	b	c
G0	1.150	895	1.640
G2	2.000	1.040	1.690
G4	2.600	1.200	1.690
G6	3.600	1.290	1.690
G7	3.600	1.290	2.115
G8	5.170	1.290	2.155
G9	5.900	1.540	2.565



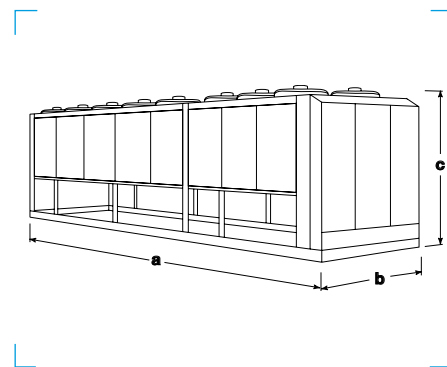
### UNICO.A.HD "U"

Size	a	b	c
U10	5.500	2.130	2.430
U11	6.490	2.130	2.430
U12	7.480	2.130	2.430
U13	8.470	2.130	2.430
U14	9.460	2.130	2.430



### UNICO.A.HD "M"

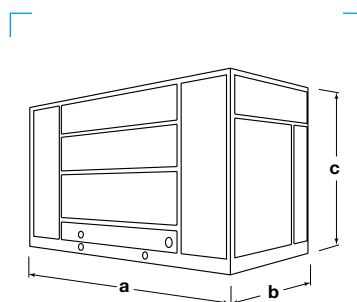
Size	a	b	c
M16	5.000	2.350	2.510
M17	6.070	2.350	2.510
M18	7.140	2.350	2.510
M19	8.490	2.350	2.510
M20	9.560	2.350	2.510
M21	10.630	2.350	2.510



## DIMENSIONS (mm)

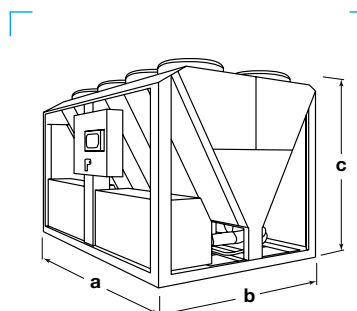
### UNICO.C "G"

Size	a	b	c
<b>G1</b>	1.150	895	1.960
<b>G3</b>	2.000	1.040	2.010
<b>G5</b>	2.600	1.200	2.010
<b>G7</b>	3.600	1.290	2.010
<b>G8</b>	5.170	1.290	2.050



### UNICO.TURBO "Y"

Size	a	b	c
<b>250.T1.Y1</b>	2.606	2.310	2.490
<b>300.T1.Y2</b>	3.756	2.310	2.490
<b>500.T2.Y3</b>	4.906	2.310	2.490
<b>600.T2.Y4</b>	6.056	2.310	2.490



### UNICO.TURBO "F"

Size	a	b	c
<b>750.T3.F12</b>	7.860	2.320	2.560
<b>900.T3.F14</b>	8.930	2.320	2.560
<b>1000.T4.F16</b>	10.550	2.320	2.560
<b>1200.T4.F20</b>	12.960	2.320	2.560

